



Constant voltage input non  
regulated dual output



### Key features

- Well temperature characteristics
- Isolation voltage: 3000VDC
- Small S/DIP package
- International standard PIN
- Internal SMT design
- Meet RoHS certification requirements

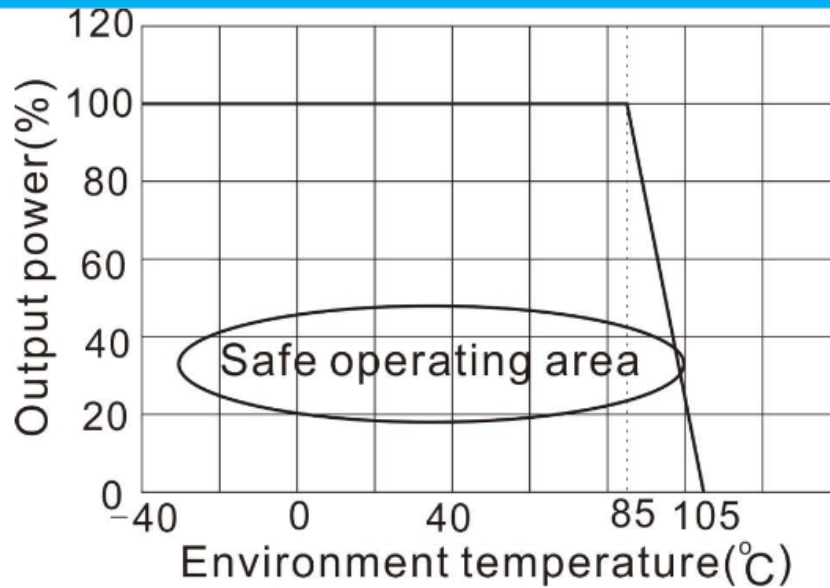
### Electrical specifications

Model	Input voltage range (V)	Output voltage/current	Min Output current (mA)	MAX capacitive load(uF)	Efficiency (%)
IB0505LS-2W	4.75 ~ 5.25	5VDC/400mA	40	10	68
IB1205LS-2W	11.4 ~ 12.6	5VDC/400mA	40	10	70
IB1505LS-2W	14.3 ~ 15.7	5VDC/400mA	40	10	69
IB2405LS-2W	22.8 ~ 25.2	5VDC/400mA	40	10	70

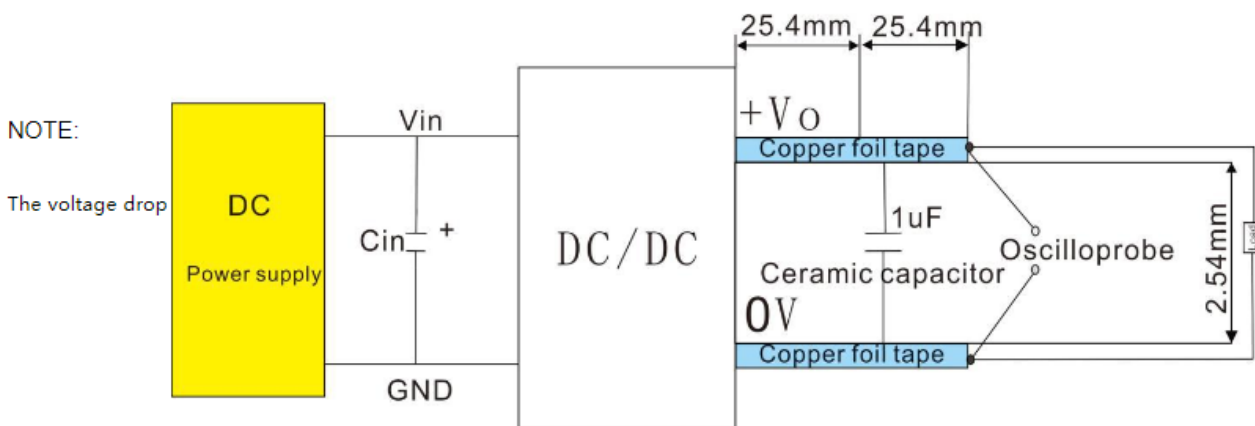
### Normal characteristics

Output voltage accuracy)(Nominal input voltage,100%load	-2 (MIN) ,+2(MAX)
Load regulation	±1(MAX)
Output voltage regulation	±0.5 (MAX)
Ripple and noise(20MHz of bandwidth,Nominal input voltage,100%load)	30 mV(TYP) 50mV(MAX)
Switching frequency	100KHz(TYP)
Temperature coefficient(Nominal input voltage,100%load, -40℃ ~ +85℃)	±0.03%/°C(MAX)
Storage humidity	95%(MAX)
Environment temperature	-40℃ ~ 85℃
Storage temperature	-55℃ ~ 125℃
Shell temperature in working	35℃ (TYP)
Isolation characteristics(Test time: 1Min, leakage current<0.5mA)	3000VDC
Cooling method	Natural cooling
Mean Time Between Failures ( TA=25℃ )	one million hours (MIN)
Isolation resistance (Isolation voltage:500VDC	1000MΩ(MIN)
Shell material	Flame retardant and heat resistant plastic

## Output derating



## Method of testing Ripple and Noise



## Application notices